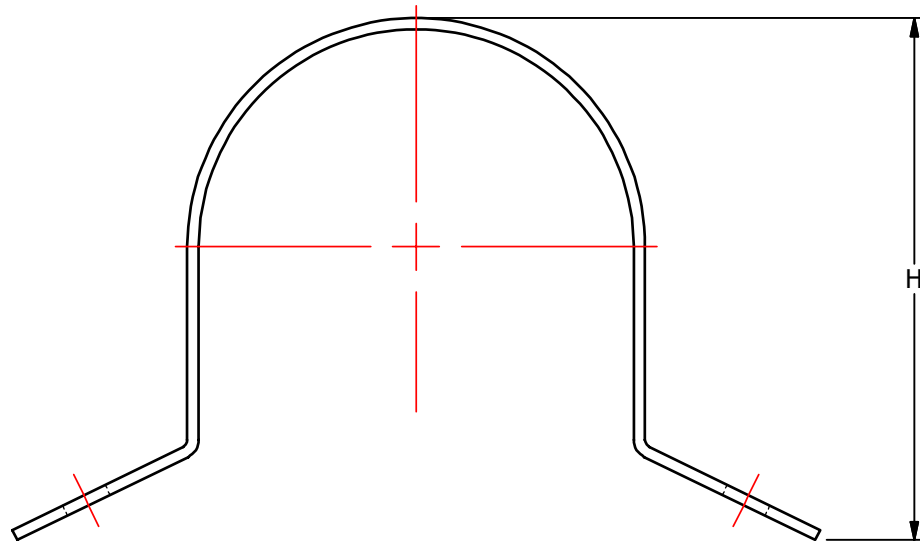
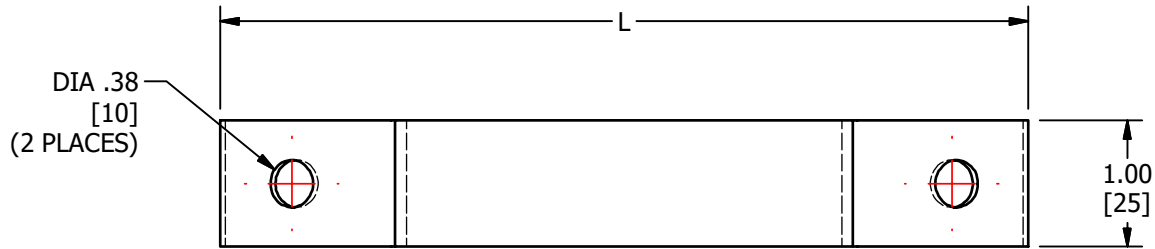
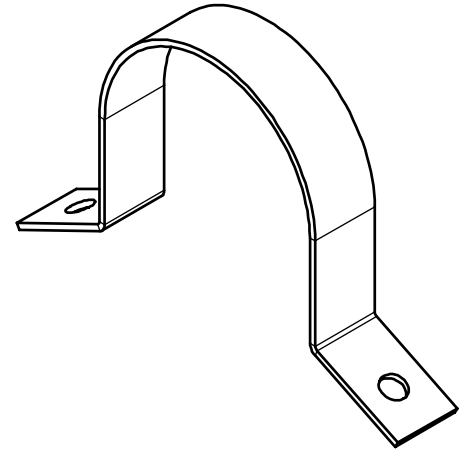
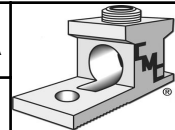


S.NO	CATALOG NUMBER	L	H
1	BA3CS-2-120	4.91 [125]	2.87 [73]
2	BA3CS-3-120	6.41 [163]	4.14 [105]
3	BA3CS-4-120	6.32 [161]	5.09 [129]



					TO ORDER CMC PRODUCTS	DRAWN BY: TS	NAME OF PART:	CAT. NO.:
					UNITED STATES 1-513-860-4455	03-19-20	CONDUIT STRAP	SEE TABLE
					CANADA 1-800-361-6975	CHECKED BY:	DWG NO:	A
					MEXICO 011-52-722-265-4400		UB20701134-S (CHARTED)	
A	NEW DRAWING CREATED		03-19-20	TS	FOR PRODUCT INFO www.cmlugs.com	DRAWING NOT TO SCALE		SHEET NO: 1 OF 1
REV.	DESCRIPTION	ECN	DATE	INIT.				



THIS INFORMATION IS PROPRIETARY TO CONNECTOR MFG. CO. AND IS NOT TO BE DISCLOSED OUTSIDE OF CONNECTOR MFG. CO. WITHOUT A CONFIDENTIALITY AGREEMENT



**CONNECTOR MANUFACTURING CO.**

HAMILTON, OHIO